



### JSN 產品

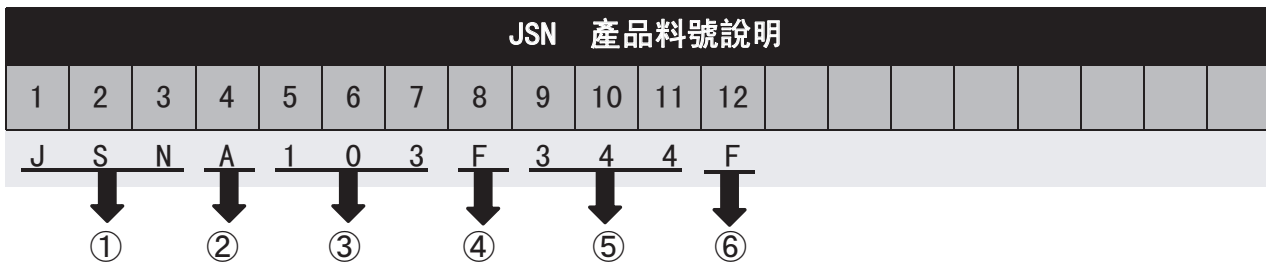
#### Features

- 符合RoHS / Halogen-Free (HF)規範
- RoHS / Halogen-Free (HF) compliant
- 高可靠性
- Highly reliable structure
- 工作溫度範圍: -40°C ~ + 125°C
- Operating temperature range: -40°C ~ + 125°C
- 安規認證: UL / TUV
- Agency recognition: UL / TUV

#### Applications

- It設備
- IT equipment
- 移動設備
- Mobile devices
- 電池組
- Battery packs
- Oa設備
- Office automation equipment

### SMD NTC 產品料號編碼

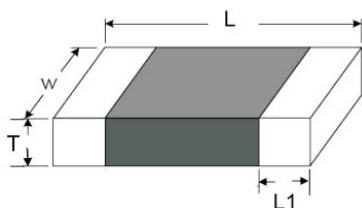


①	產品類別代碼	JSN	⑤	B 值	344 = 3435 K 405 = 4050 K
②	產品尺寸	A = 0402 (1005) B = 0603 (1608) C = 0805 (2012)	⑥	B 值公差	F = ±1% G = ±2% H = ±3% J = ±5%
③	25°C 電阻值	502 = 5K Ω 103 = 10K Ω 104 = 100K Ω			
④	25°C 電阻值公差	F = ±1% G = ±2% H = ±3% J = ±5% K = ±10%			

範例 JSNA103F338F / JSNB103G397F / JSNC104F398F

溫度偵測感應

單位:mm



ITEM	L±0.20	W±0.20	T max	L1
JSNA (0402)	1.00	0.50	0.60	0.25~0.15
JSNB (0603)	1.60	0.80	0.90	0.35~0.15
JSNC (0805)	2.00	1.25	1.20	0.20~0.60

### JSN 產品 規格

※ X : R Tolerance , Y: B Value Tolerance

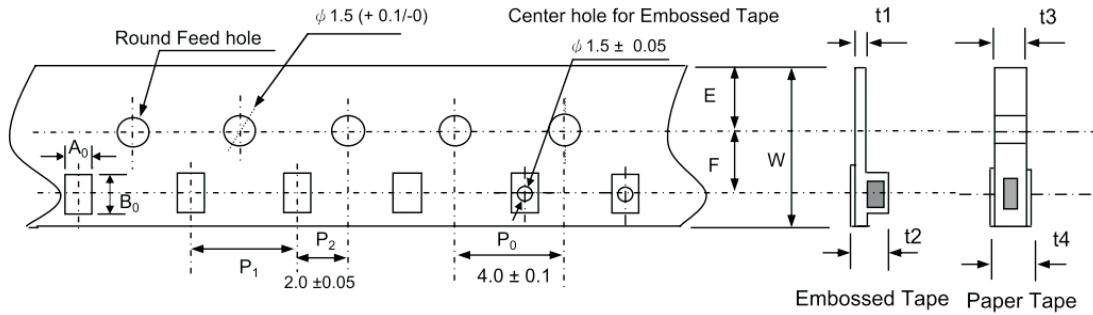
規格	Zero Power Resistance at 25°C	Tolerance of R 25	B25/85 Value	Tolerance of B Value	Dissipation Factor	Thermal Time Constant	Max. Power Rating at 25°C	安規認證	
	R 25 (Ω)	(± %)	(K)	(± %)	δ (mW/°C)	τ (sec.)	(mW)	UL	TUV
JSNA103X344Y	10000	10, 5, 3, 2, 1,	3435	5, 3, 2, 1,	Approx. 2.5	Approx. 3.0	250	■	
JSNA473X405Y	47000	10, 5, 3, 2, 1,	4050	5, 3, 2, 1,	Approx. 2.5	Approx. 3.0	250	■	
JSNA104X405Y	100000	10, 5, 3, 2, 1,	4050	5, 3, 2, 1,	Approx. 2.5	Approx. 3.0	250	■	
JSNA104X430Y	100000	10, 5, 3, 2, 1,	4300	5, 3, 2, 1,	Approx. 2.5	Approx. 3.0	250	■	
JSNB682X344Y	6800	10, 5, 3, ,	3435	5, 3, 2, 1,	Approx. 3.5	Approx. 3.1	210	■	
JSNB103X344Y	10000	10, 5, 3, 2, 1,	3435	5, 3, 2, 1,	Approx. 3.5	Approx. 3.1	210	■	
JSNB103X397Y	10000	10, 5, 3, 2, 1,	3970	5, 3, 2, 1,	Approx. 3.5	Approx. 3.1	210	■	
JSNB473X395Y	47000	10, 5, 3, 2, 1,	3950	5, 3, 2, 1,	Approx. 3.5	Approx. 3.1	210	■	
JSNB473X405Y	47000	10, 5, 3, 2, 1,	4050	5, 3, 2, 1,	Approx. 3.5	Approx. 3.1	210	■	
JSNB503X395Y	50000	10, 5, 3, 2, 1,	3950	5, 3, 2, 1,	Approx. 3.5	Approx. 3.1	210	■	
JSNB104X395Y	100000	10, 5, 3, 2, 1,	3950	5, 3, 2, 1,	Approx. 3.5	Approx. 3.1	210	■	
JSNB104X405Y	100000	10, 5, 3, 2, 1,	4050	5, 3, 2, 1,	Approx. 3.5	Approx. 3.1	210	■	
JSNB104X440Y	100000	10, 5, 3, 2, 1,	4400	5, 3, 2, 1,	Approx. 3.5	Approx. 3.1	210	■	
JSNB204X406Y	200000	10, 5, 3, 2, 1,	4055	5, 3, 2, 1,	Approx. 3.5	Approx. 3.1	210	■	
JSNC502X344Y	5000	10, 5, 3, 2, 1,	3435	5, 3, 2, 1,	Approx. 4.0	Approx. 7.5	400	■	
JSNC103X344Y	10000	10, 5, 3, 2, 1,	3435	5, 3, 2, 1,	Approx. 4.0	Approx. 7.5	400	■	
JSNC473X400Y	47000	10, 5, 3, 2, 1,	4000	5, 3, 2, 1,	Approx. 4.0	Approx. 7.5	400	■	
JSNC503X400Y	50000	10, 5, 3, 2, 1,	4000	5, 3, 2, 1,	Approx. 4.0	Approx. 7.5	400	■	
JSNC683X400Y	68000	10, 5, 3, 2, 1	4000	5, 3, 2, 1,	Approx. 4.0	Approx. 7.5	400	■	
JSNC104X398Y	100000	10, 5, 3, 2, 1	3980	5, 3, 2, 1,	Approx. 4.0	Approx. 7.5	400	■	
JSNC104X400Y	100000	10, 5, 3, 2, 1	4000	5, 3, 2, 1,	Approx. 4.0	Approx. 7.5	400	■	
JSNC204X395Y	200000	10, 5, 3, 2, 1	3950	5, 3, 2, 1,	Approx. 4.0	Approx. 7.5	400	■	

※ X : R Tolerance , Y: B Value Tolerance

溫度偵測感應

## Packaging

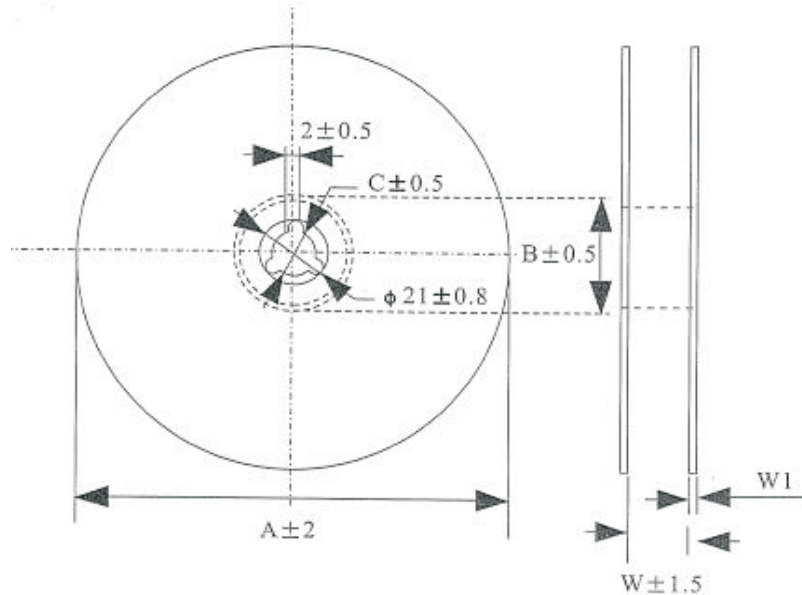
### ■Taping Specification



### ■Dimension of Embossed Tape

	$A_0$ $\pm 0.1$ (mm)	$B_0$ $\pm 0.1$ (mm)	$P_1$ $\pm 0.1$ (mm)	$t_1/t_2$ (mm)	$t_3/t_4$ (mm)	Quantity/Reel(Pcs)	
						Paper Tape	Embossed Tape
JSNA (0402)	0.65	1.15	4	-	1.0max/1.1max	10000	
JSNB (0603)	1.10	1.90	4		1.0max/1.1max	4000	
JSNC (0805)	1.50	2.35	4	-	1.0max/1.1max	4000	-

### ■Reel Specification



### ■Dimension

Size	A	B	C	W	W <sub>1</sub>
JSNA (0402)	178	60	13	10	1.6
JSNB (0603)	178	60	13	10	1.6
JSNC (0805)	178	60	13	10	1.6