



## Lead-Free Current Sensing Resistors RLM Series

Document No	TRLM-200S013A
Issued date	2014/11/17
page	1/6

### 1. Scope :

This specification applied to the products of Lead-Free current sensing resistor of metal foil for Lead-Free RLM series manufactured by TA-I TECHNOLOGY CO., LTD.

### 2. Type Designation :

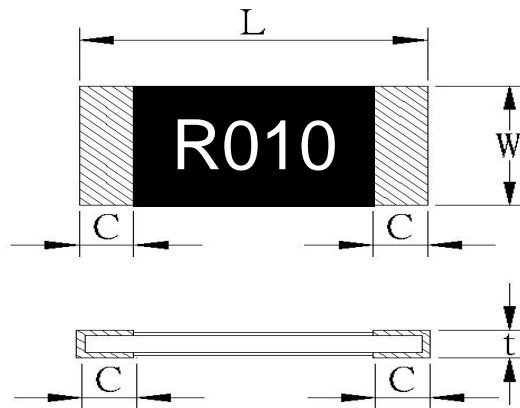
<u>RLM</u> Item	<u>20</u> Series No	<u>F</u> Resistance tolerance	<u>E</u> Packaging	<u>C</u> Power Rating	<u>R010</u> Resistance
20:2010 (5025)	F:±1% G:±2% J:±5%	E: Embossed Tape	I=3/4W D=3/2W S=1/2W C=1W	e.g : R010=10mΩ	

### 3. Construction and Dimension :

#### 3.1 Construction:



#### 3.2 Dimension:



UNIT : mm

Style	L	W	C	t	Material
RLM20	5.0±0.2	2.5±0.2	0.6±0.3	0.60 ±0.20	Strip : Alloy Over Coating : molding Compound UL-94 grade



## Lead-Free Current Sensing Resistors RLM Series

Document No	TRLM-200S013A
Issued date	2014/11/17
page	2/6

### 4. Features:

Type	RLM20	
Power Rating	3/4W、3/2W、1/2W、1W	
Resistance Value	5~50mΩ	
Operation Temperature Range	-55℃ ~ +170℃	
Temperature Coefficient of Resistance	±100ppm/℃	5mΩ ≤ R ≤ 10mΩ
	±75ppm/℃	R > 10mΩ
Tolerance	±1%, ±2%, ±5%	
Insulation Resistance	Over 100MΩ	
Maximum Working Voltage(V)	(P*R) <sup>1/2</sup>	

### 5. Reliability Tests :

Test Items	Reference standard	Condition of Test	Test Limits
Temperature Coefficient of Resistance	IEC60115-1 4.8 JIS C 5201-1 4.8	+25℃ ~ +125℃	Refer 4.0
Load Life	IEC60115-1 4.25.1 JIS C 5201-1 4.25.1	1000hours at rated power, 70℃, 1.5hours "ON", 0.5hour "OFF"	< ±1%
Short Time Overload	IEC60115-1 4.13 JIS C 5201-1 4.13	5 X rated power for 5s	< ±0.5%
Moisture no Load	IEC60115-1 4.24.2.1a) JIS C 5201-1 4.24.2.1a)	85℃, 85%RH, 1000hrs	< ±1%
Temperature cycle	IEC60115-1 4.19 JIS C 5201-1 4.19	-55℃ & +155℃, 300cycle, 15min per extreme condition	< ±1%
Resistance to Soldering Heat	IEC60115-1 4.18 JIS C 5201-1 4.18	260±5℃ for 10±1 sec	< ±0.5%
Solderability	IEC60115-1 4.17 JIS C 5201-1 4.17	245±5℃, 2±0.5sec	At least 95% of surface area of electrode shall be covered with new solder
High Temperature Exposure	IEC60115-1 4.23.2 JIS C 5201-1 4.23.2	170℃, 1000hrs	< ±1%
Low Temperature Storage	IEC60115-1 4.23.4 JIS C 5201-1 4.23.4	-55℃, 1000hrs	< ±0.5%
Substrate Bending	IEC60115-1 4.33 JIS C 5201-1 4.33	Bending width 2mm	< ±1%
Insulation Resistance	IEC60115-1 4.6 JIS C 5201-1 4.6	100V DC for 1 minute	>100 MΩ



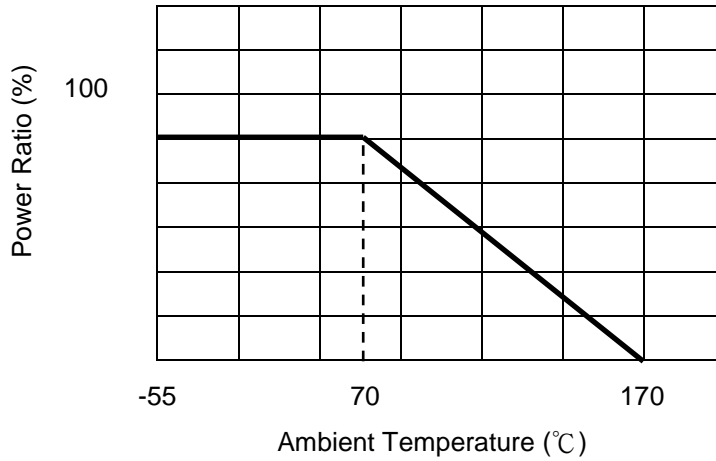
## Lead-Free Current Sensing Resistors RLM Series

Document No TRLM-200S013A

Issued date 2014/11/17

page 3/6

### 5.1 Derating Curve



### 5.2 Rated Voltage

The rated voltage is calculated by the following formula:

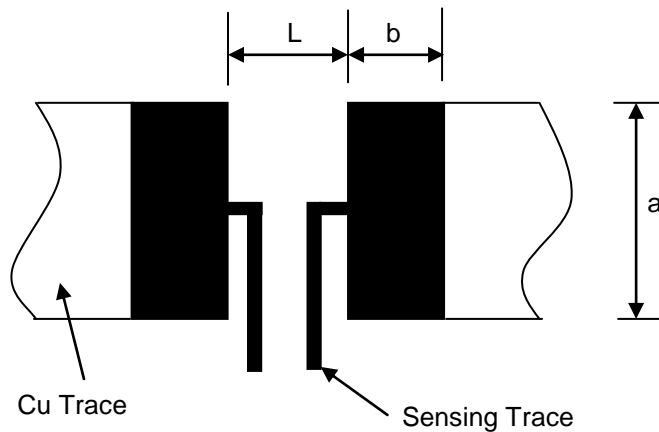
$$V = \sqrt{P \times R}$$

V: Rated Voltage(V)

P: Rated Power(W)

R: Resistance Value( $\Omega$ )

### 6. Recommended Solder Pad Dimension



Resistance Range ( $\Omega$ )	a	b	L
0.005-0.030	3.4 $\pm$ 0.2	1.5 $\pm$ 0.2	3.5 $\pm$ 0.2

Unit: mm



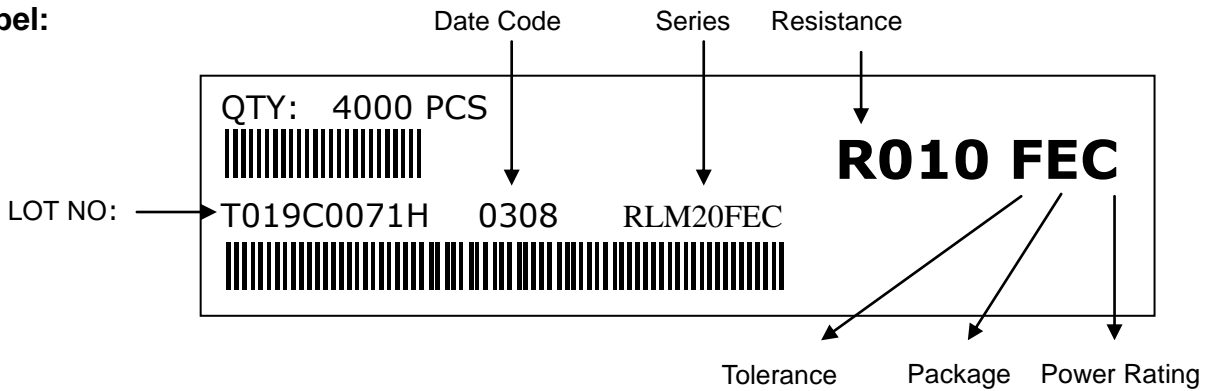
**Lead-Free Current Sensing Resistors  
RLM Series**

Document No	TRLM-200S013A
Issued date	2014/11/17
page	4/6

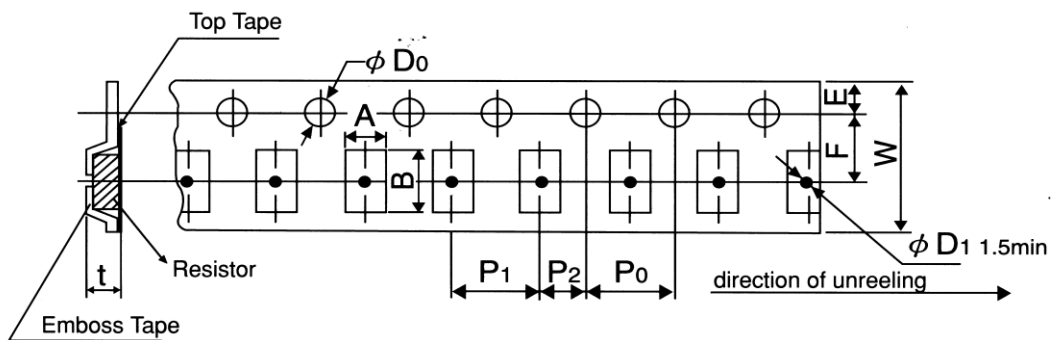
**7. Number of Package:**

4000 Pieces / package

**8. Label:**



**9. Taping**



Packing	Type	A	B	W	F	E	P <sub>1</sub>	P <sub>2</sub>	P <sub>0</sub>	D <sub>0</sub>	T
Emboss	RLM20	2.8±0.2	5.3±0.2	12.±0.2	5.5±0.05	1.75±0.1	4.0±0.1	2.0±0.05	4.0±0.05	$\phi 1.5$ (+0.1/-0.1)	0.85±0.15

Unit: mm



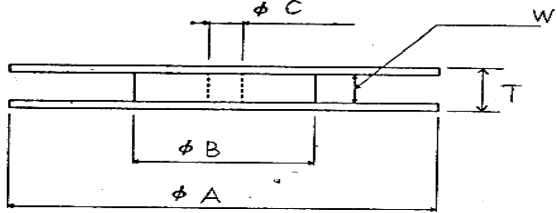
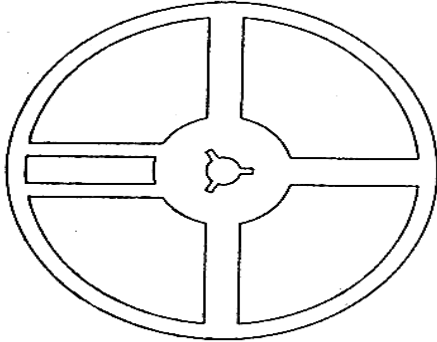
## Lead-Free Current Sensing Resistors RLM Series

Document No TRLM-200S013A

Issued date 2014/11/17

page 5/6

### 10. Reel Specification

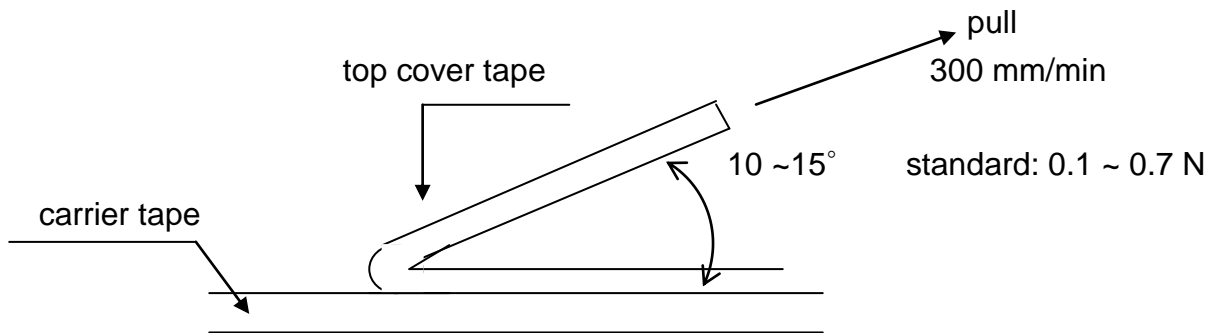


Series	$\phi A$	$\phi B$	$\phi C$	W	T
RLM 20	$178.0 \pm 2.0$	$60.0 \pm 1.0$	$13.0 \pm 1.0$	$13.0 \pm 1.0$	$15.5 \pm 1.0$

Unit: mm

### 11. Peeling Strength of Top Cover Tape

Test Condition: 0.1 to 0.7 N at a peel-off speed of 300 mm / min.



### 12. Storage Conditions:

Temperature: 5°C ~ 35°C, Humidity: 40% ~ 75%

### 13. Shelf Life:

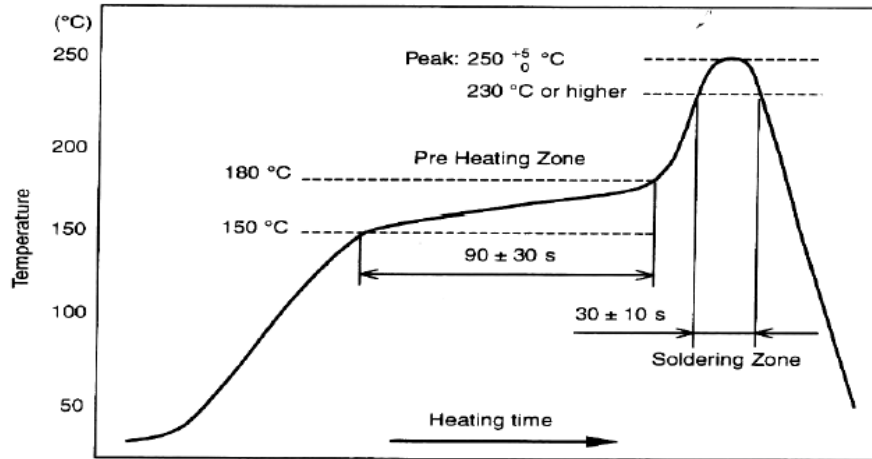
2 years from manufacturing date.



## Lead-Free Current Sensing Resistors RLM Series

Document No	TRLM-200S013A
Issued date	2014/11/17
page	6/6

### 14. Recommend IR – Reflow profile : (solder : Sn96.5 / Ag3 / Cu0.5)



Peak :  $260 \begin{matrix} +5 \\ -5 \end{matrix} \text{ }^{\circ}\text{C}$  ,  $10 \pm 1 \text{ sec}$

Pre – heat Zone : 150 to 180  $^{\circ}\text{C}$  ,  $90 \pm 30 \text{ sec}$

Soldering Zone : 230 $^{\circ}\text{C}$  or higher ,  $30 \pm 10 \text{ sec}$

Iron Solder:  $350 \pm 10^{\circ}\text{C}$  ,  $3 + 1 / - 0 \text{ sec}$

### 15. ECN

Engineering Change Notice: The customer will be informed with ECN if there is significant modification on the characteristics and materials described in approval sheet.

### 16. Manufacturing Country & City :

TA-I TECHNOLOGY CO., LTD. ( Taiwan– Tao Yuan )

Tel: (+886) 3-3246169 Fax : (+886) 3-3246167

#### Associated companies :

(1)TA-I TECHNOLOGY ( SU ZHOU ) CO., LTD. ( China – Su Zhou)

Tel :(+86) 512-63457879 Fax : (+86) 512-63457869

(2) TA-I TECHNOLOGY ELECTRONIC (DONGGUAN) CO., LTD. ( China –Dongguan )

Tel : (+86) 769-8339-4790~3 Fax : (+86) 769-8339-4794

(3) FORTUNE TASK RESISTOR FACTORY ( China – Dongguan )

Tel : (+86) 769-8339-4790~3 Fax : (+86) 769-8339-4794

(4) TAI OHM ELECTRONICS ( M ) SDN. BHD. ( Malaysia – Penang )

Tel :(+60) 4- 3900480 Fax : (+60) 4-3901481

(5) P.T.TAI ELECTRONIC Indonesia ( Indonesia – Jakarta )

Tel :(+62) 21-44820254 Fax : (+62) 21-44820256